

VON DUPRIN® 6000 Series Electric Strikes

Von Duprin is the leading manufacturer of premium, heavy-duty electric strikes known for their reliability, durability and security.

Electric strikes provide remote release of a locked door. They allow the door to be opened without retracting the latchbolt.

This occurs by releasing the electric strike lip (sometimes called keeper or gate). When the door closes the bevelled latchbolt rides over the lip and falls into the electric strike pocket.



Pictured: VD6000

Performance Features

- Developed with Von Duprin's high standards and engineering expertise.
- Non-handed.
- Furnished 12VDC or 24VDC.
- Furnished fail secure (FSE) or fail safe (FS).
- Strike box is adjustable to compensate for any misalignment of the door or frame.
- Two piece plug connectors are furnished for ease of installation and for removal during strike servicing.
- Heavy-duty stainless steel construction.
- Tested to over 250,000 cycles.
- 680kg holding strength.
- 32kg impact strength.

Monitoring Options (Factory Installed Only)

Dual Switch – DS

Dual switch monitoring option has two SPDT contacts. One switch monitors the tripper which is depressed when the latchbolt is inserted into the strike pocket. The second switch monitors the condition of the strike lip, open or closed and locked.

DS is standard, rated 24V, with an operating range from 50 milliampere to 2 ampere.

Fail Safe – FS

FS – FAIL-SAFE electric strikes require power to be applied to lock the strike lip. On loss of power, the strike is unlocked (field convertible with parts).

Fail Secure – FSE

FSE – FAIL-SECURE electric strikes require power to be applied to unlock the strike lip. On loss of power, the strike is locked (field convertible with parts).

Note: Information listed is for use on new applications. On retrofit applications, modification of the frame preparation may be required, consult Ingersoll Rand Security Technologies.

VON DUPRIN® 6000 Series Electric Strikes

6211

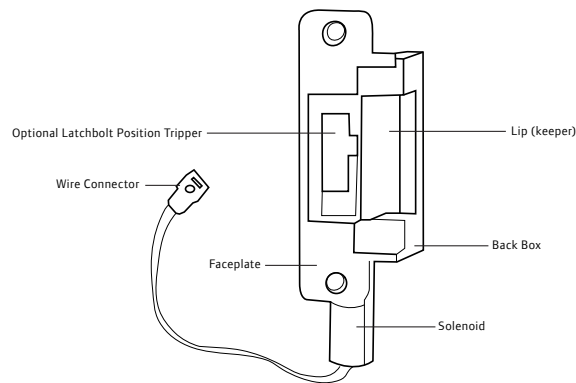


Electric strike for use on new installations with mortice locks without deadbolt or cylindrical locks on single door, hollow metal frame applications.

6211WF



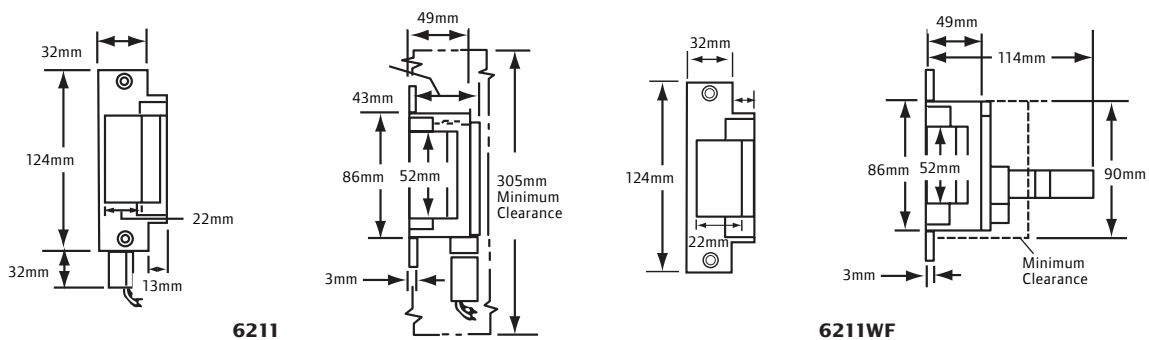
Electric strike for use on new installations with mortice locks without deadbolt or cylindrical locks on single door, wood frame applications.



Performance Features

- Accepts 19mm throw latchbolt.
- Horizontally adjustable.
- Monitor switch.

Dimensions



Specifications	12V	24V
Resistance in Ohms±10% @ 21°C	21	82
Watt-seated @ 21°C	7.5	8
Amps-seated @ 21°C	.6	.33
Amps-inrush @ 21°C	.6	.33