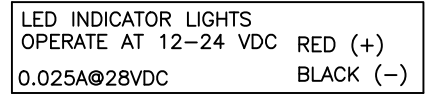
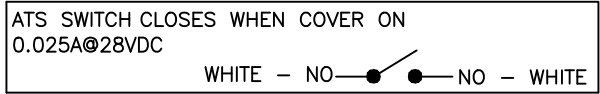
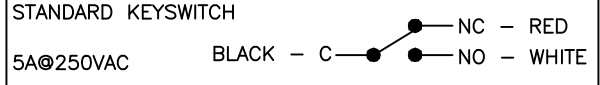


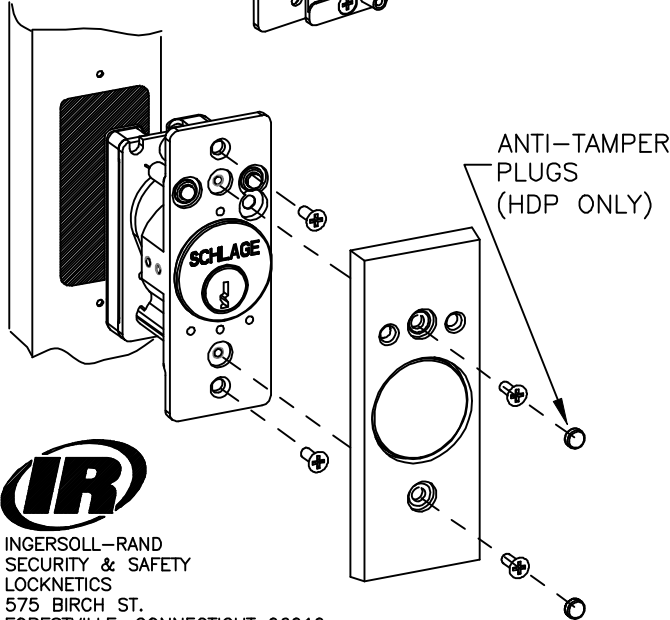
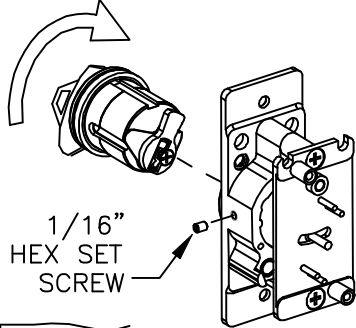
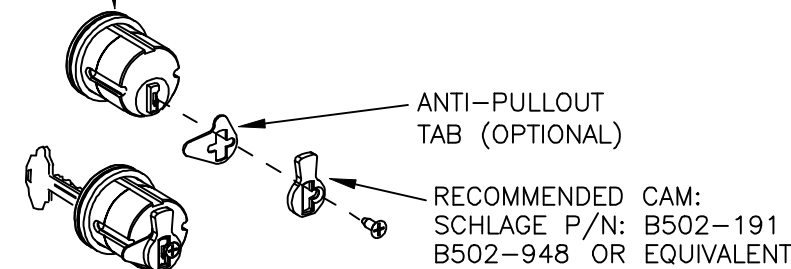
LOCKNETICS®

650 SERIES KEYSWITCHES

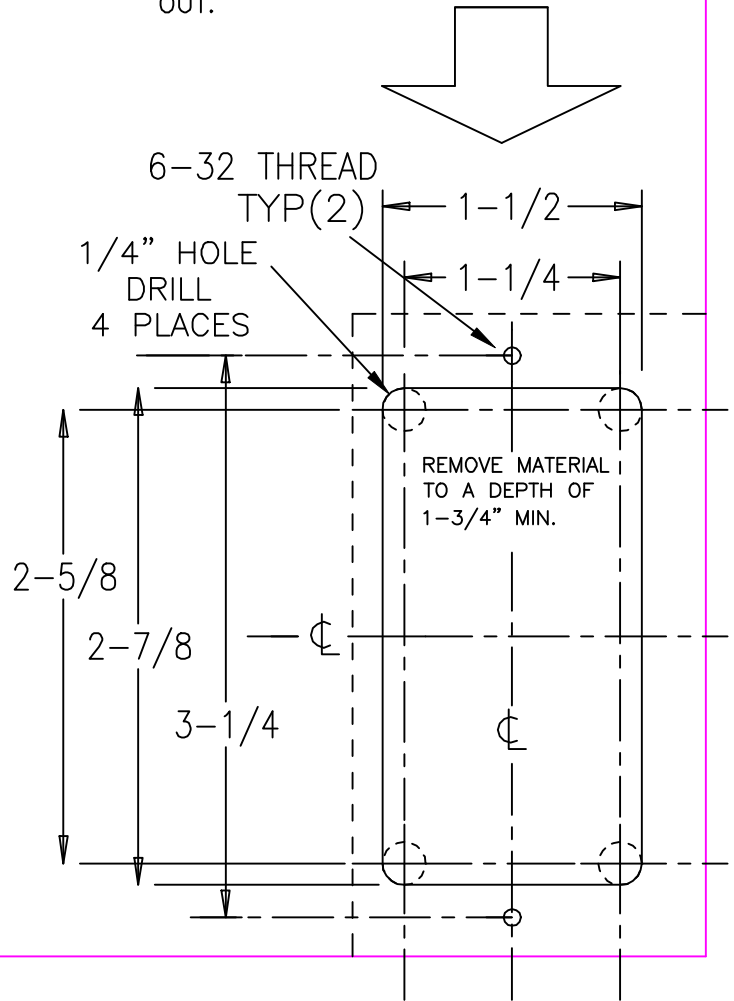
653 MODELS MOUNT IN A STANDARD SINGLE-GANG BOX. 653-NS KEYSWITCHES MOUNT IN PREP SHOWN (BELOW RIGHT). TEMPLATE MAY BE CUT OUT OR FOLLOW DIMENSIONS FOR PREP OF MOUNTING AREA. SEE OTHER SIDE FOR SPECIAL APPLICATIONS NOTES.



BLOCKING RING REQUIRED FOR CYLINDERS OVER 1-1/8". THICKNESS=CYLINDER LENGTH - 1-1/8"

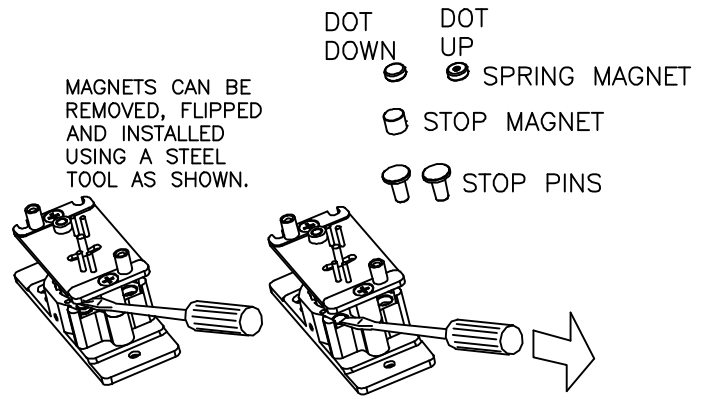



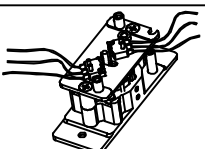
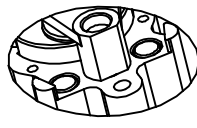

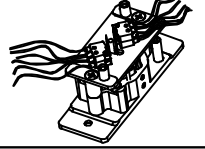
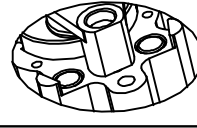

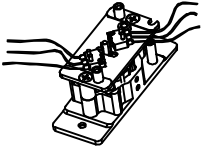
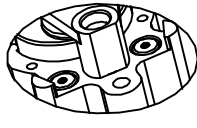

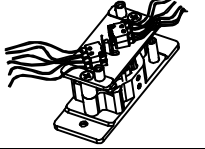
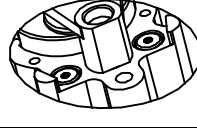

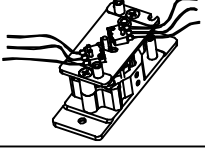
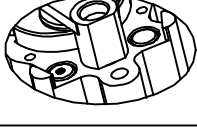

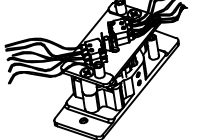

RECOMMENDED CUTOUT FOR 653-NS (NARROW-STYLE) KEYSWITCHES
NOTE: STANDARD 653 KEYSWITCHES CAN BE MOUNTED USING SAME CUT OUT.


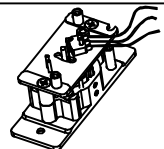
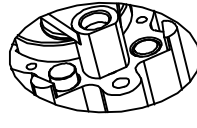

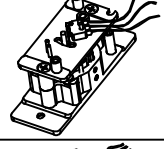


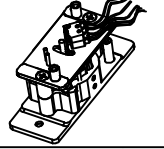
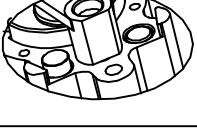

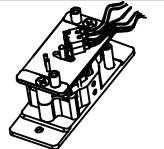
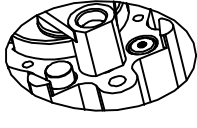


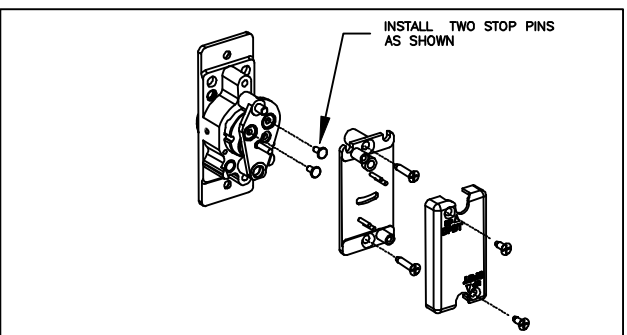
INGERSOLL-RAND
SECURITY & SAFETY
LOCKNETICS
575 BIRCH ST.
FORESTVILLE, CONNECTICUT 06010
PHONE: (860)584-9158
FAX: (860)584-2136

THE 653 SERIES KEYSWITCHES COME WITH ALL PARTS (EXCEPT SWITCH ASSEMBLIES) TO MAKE ANY FUNCTION SHOWN BELOW. IF SWITCH ASSEMBLIES ARE NEEDED ORDER P/N P653059. NOTE THAT THE SWITCH USES MAGNETIC SPRINGS TO BE ACTIVATED. DOT UP ON MAGNET WILL MAKE A MOMENTARY. DOT DOWN WILL MAKE MAINTAINED. FOR NOT REMOVABLE IN MAINTAINED POSITION (041 AND 141 FUNCTIONS) STOP PINS WILL NEED TO BE ADDED.

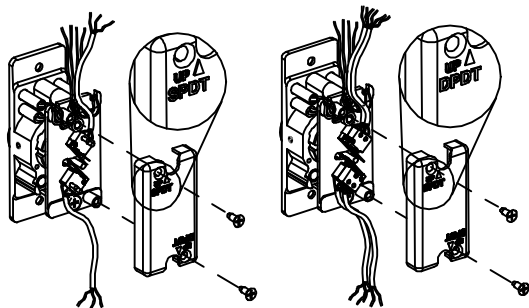



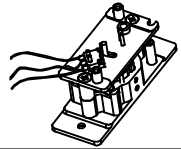
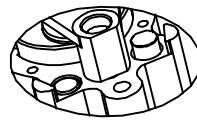

FUNCTION	SWITCH CONFIGURATION	MAGNET CONFIGURATION
 653-0404 CCW-SPDT-CW MAINTAINED MAINTAINED		
 653-1414 CCW-DPDT-CW MAINTAINED MAINTAINED		
 653-0505 CCW-SPDT-CW MOMENTARY MOMENTARY		
 653-1515 CCW-DPDT-CW MOMENTARY MOMENTARY		
 653-0405 CCW-SPDT-CW MOMENTARY MAINTAINED		
 653-1415 CCW-DPDT-CW MOMENTARY MAINTAINED		

FUNCTION	SWITCH CONFIGURATION	MAGNET CONFIGURATION
 653-04 SPDT-CW MAINTAINED		
 653-05 SPDT-CW MOMENTARY		
 653-14 DPDT-CW MAINTAINED		
 653-15 DPDT-CW MOMENTARY		



MAKE SURE SWITCH COVER IS ORIENTED CORRECTLY FOR SWITCH CONFIGURATION. NOTE THAT ONLY ONE, TWO OR FOUR SWITCHES CAN BE INSTALLED. THREE IS NOT RECOMMENDED.



 653-041 CCW-SPDT MAINTAINED KEY CAN NOT BE REMOVED WHEN SWITCH IS ACTIVATED		
 653-141 CCW-DPDT MAINTAINED KEY CAN NOT BE REMOVED WHEN SWITCH IS ACTIVATED	