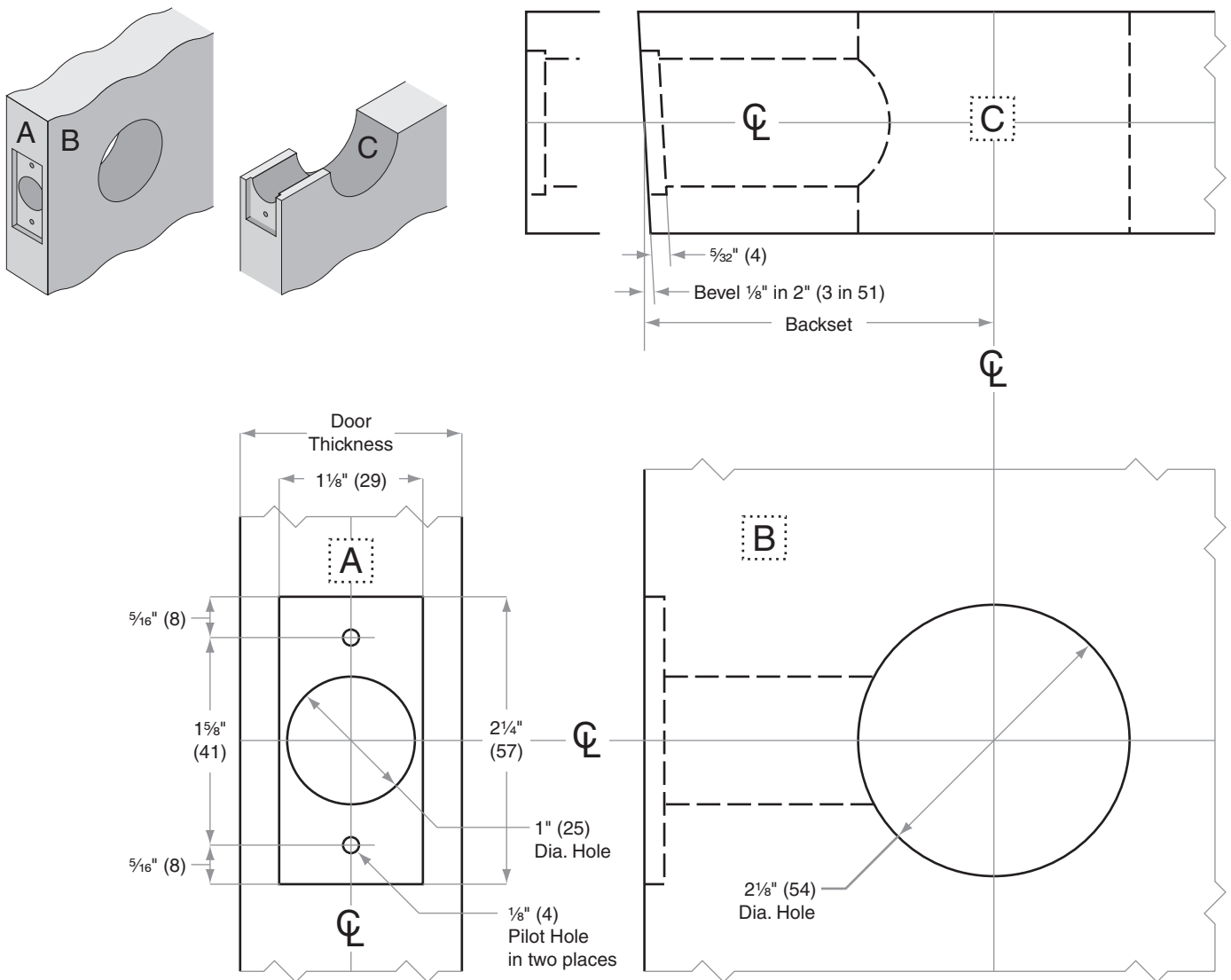


D-Series Knobs

D10–D85, D12EL/EU, D80PDEL/EU

Door Type:	Wood or composite, flat or beveled
Door Thickness:	1 $\frac{3}{8}$ " (35mm)–2" (51mm)
Faceplate:	Square Corner, 1 $\frac{1}{8}$ " (29mm) width
Backsets:	D427-C, 2 $\frac{3}{8}$ " (60mm) D427-D, 2 $\frac{3}{4}$ " (70mm) D427-E, 3 $\frac{3}{4}$ " (95mm) D427-F, 5" (127mm) D427-G, other

For EL/EU functions, provision must be made to route low voltage wire to lock. **A clearance hole is required to accommodate the rectifier, $\frac{7}{16}$ " (11) diameter by 2 $\frac{7}{8}$ " (73) long.**



Dimensions shown in parentheses () are in millimeters

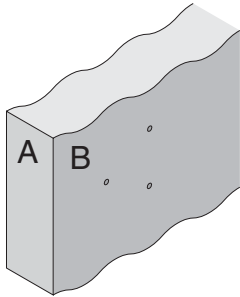
JOB: _____
DATE: _____
DOOR THICKNESS: _____
REMARKS: _____

TEMPLATE
D427

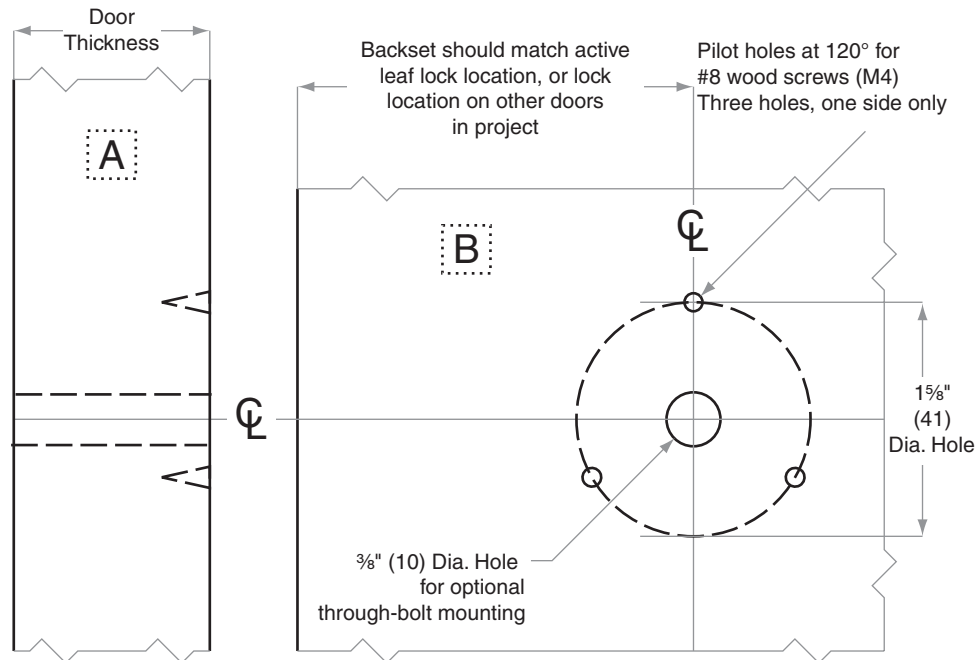
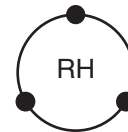
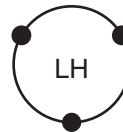
D-Series Knobs

D170

Door Type:	Wood or composite
Door Thickness:	Various
Faceplate:	None
Backsets:	Any



This door preparation is oriented for Right Hand (RH) and Right Hand Reverse (RHR) doors. For Left Hand (LH) and Left Hand Reverse (LHR) doors, mounting screw location must be rotated 180°



Dimensions shown in parentheses () are in millimeters

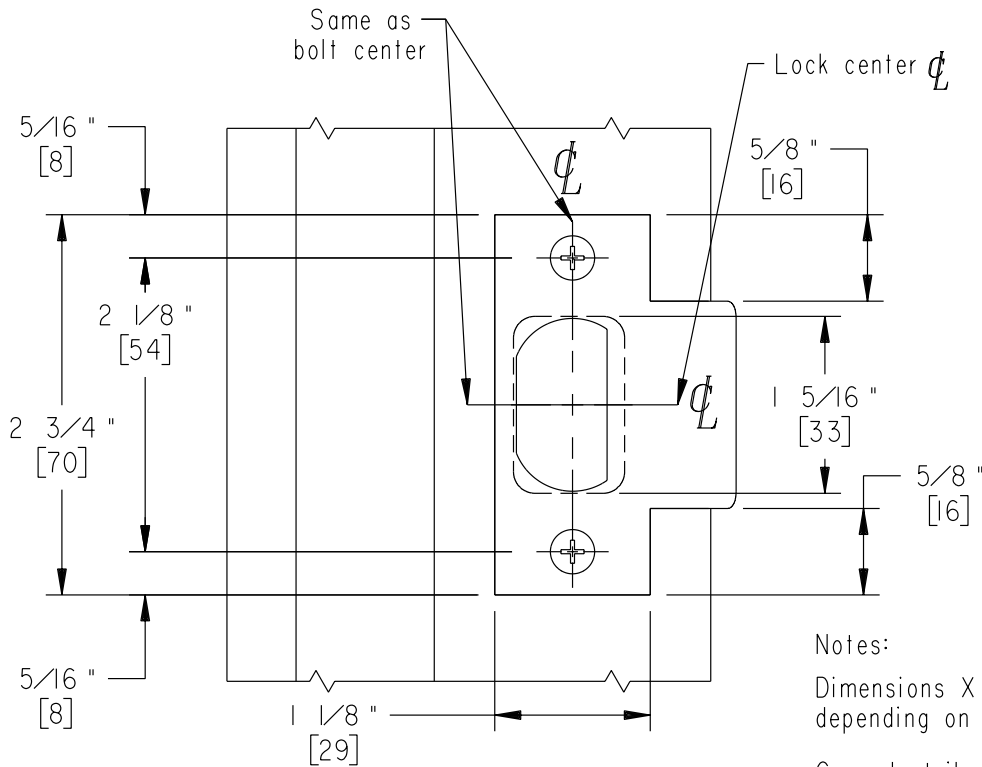
TEMPLATE
D872

JOB: _____
DATE: _____
DOOR THICKNESS: _____
REMARKS: _____

10-001
 10-013
 10-016
 10-019

Wood jamb
 ANSI standard 1 3/8" [35] doors
 Standard for A-Series, B250/252 and S-Series
Note: Dimensions shown in brackets [] are in millimeters.

SCHLAGE®
Strikes



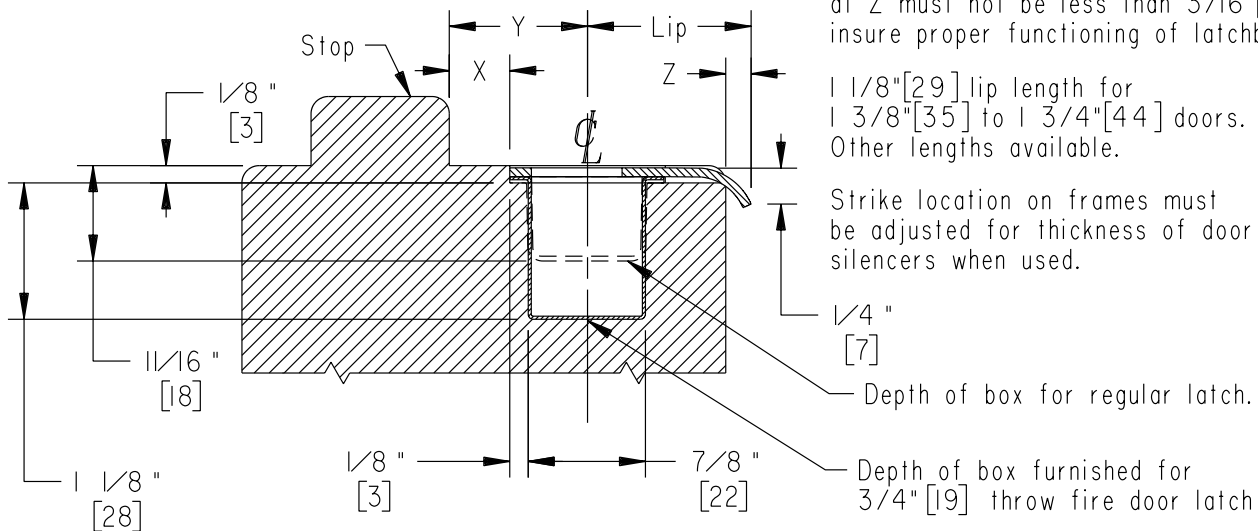
Notes:

Dimensions X and Y are variables, depending on door thickness.

Curved strike extension beyond jamb at Z must not be less than 3/16" [5] to insure proper functioning of latchbolt.

1 1/8" [29] lip length for 1 3/8" [35] to 1 3/4" [44] doors. Other lengths available.

Strike location on frames must be adjusted for thickness of door silencers when used.



1/4" [7]

Depth of box for regular latch.

Depth of box furnished for 3/4" [19] throw fire door latch

TEMPLATE NO. J928	JOB _____	
	DATE _____ DOOR THICKNESS _____	
REMARKS _____		