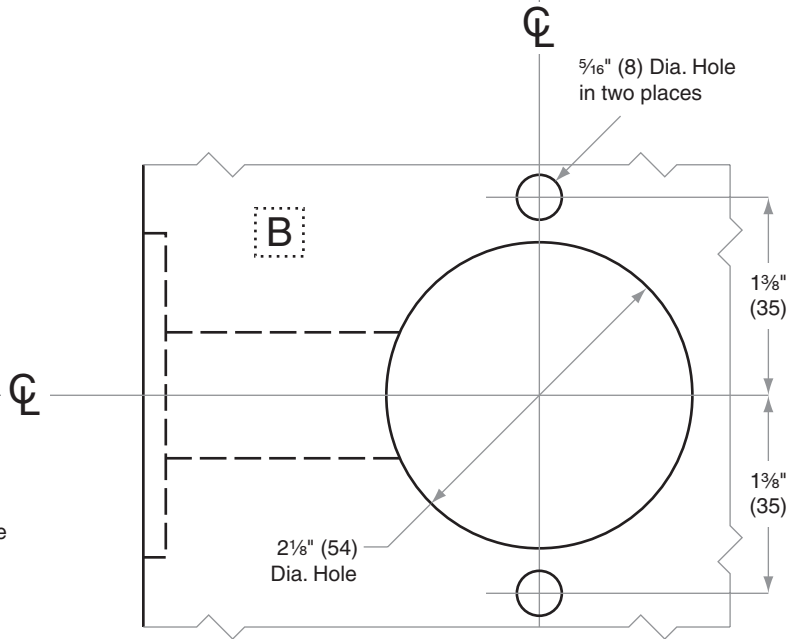
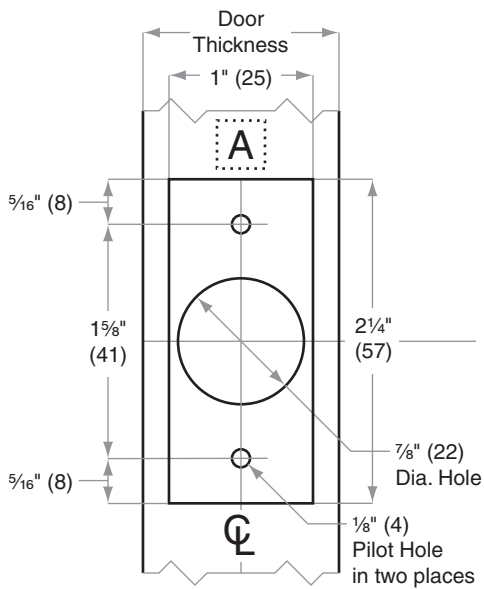
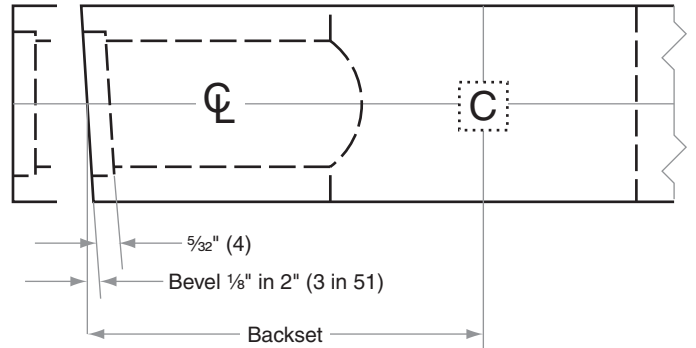
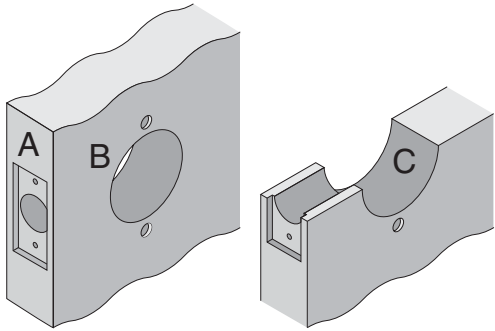


AL-Series

AL10-AL85

| | |
|------------------------|---|
| Door Type: | Wood or composite, flat or beveled |
| Door Thickness: | 1 $\frac{3}{8}$ " (35mm)–1 $\frac{7}{8}$ " (48mm) |
| Faceplate: | Square Corner, 1" (25mm) width |
| Backsets: | AL890-C, 2 $\frac{3}{8}$ " (60mm) AL890-D, 2 $\frac{3}{4}$ " (70mm) AL890-E, 3 $\frac{3}{4}$ " (95mm) AL890-F, 5" (127mm) |



Dimensions shown in parentheses () are in millimeters

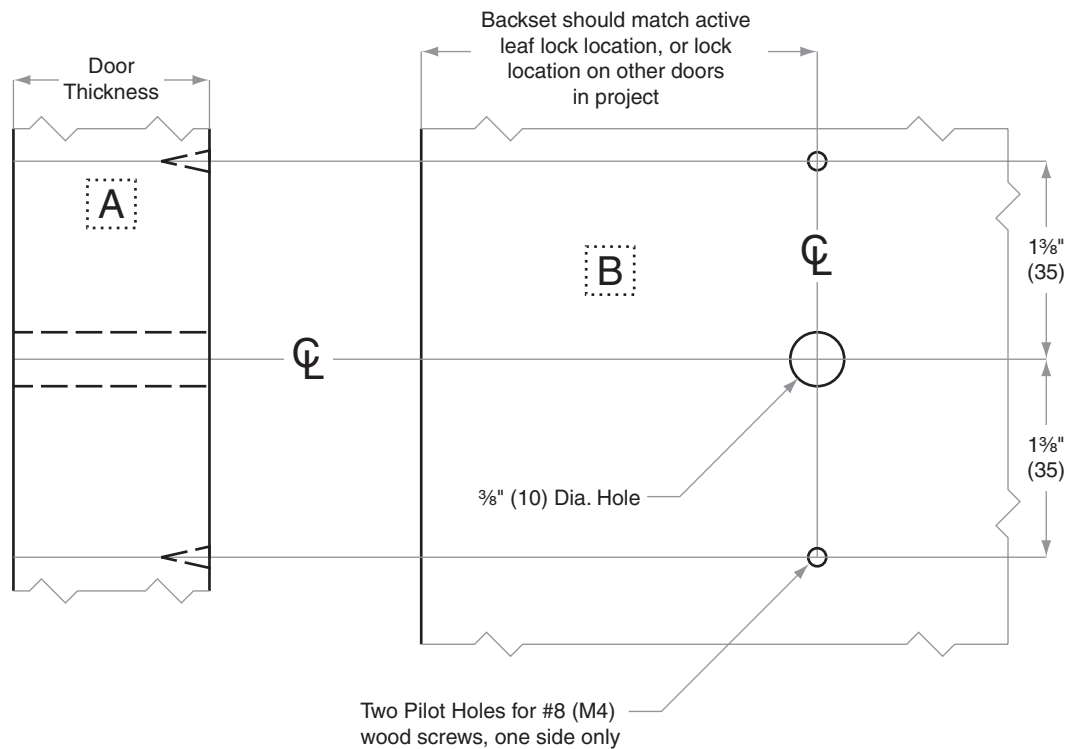
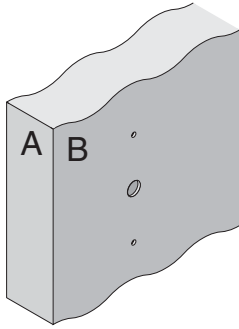
Job: _____
Date: _____
Door Thickness: _____
Remarks: _____

TEMPLATE
AL890

AL-Series

AL170

Door Type: Wood or composite,
Door Thickness: 1 3/8" (35)–2" (51)
Faceplate: None
Backsets: Any



Dimensions shown in parentheses () are in millimeters

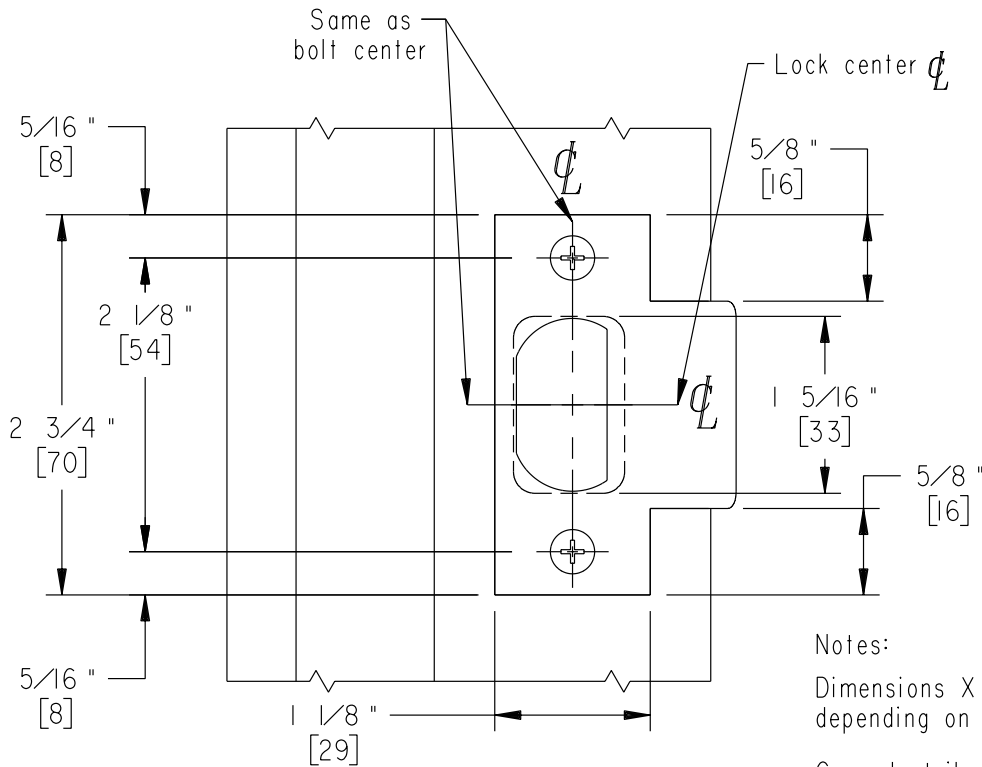
Job: _____
Date: _____
Door Thickness: _____
Remarks: _____

TEMPLATE
AL896

10-001
 10-013
 10-016
 10-019

Wood jamb
 ANSI standard 1 3/8" [35] doors
 Standard for A-Series, B250/252 and S-Series
Note: Dimensions shown in brackets [] are in millimeters.

SCHLAGE®
Strikes



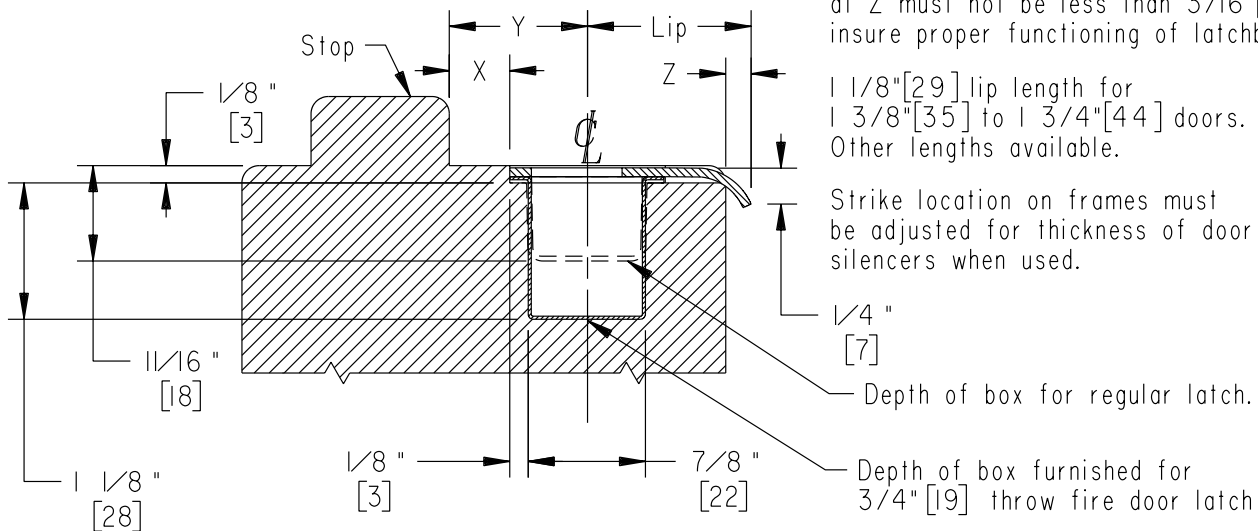
Notes:

Dimensions X and Y are variables, depending on door thickness.

Curved strike extension beyond jamb at Z must not be less than 3/16" [5] to insure proper functioning of latchbolt.

1 1/8" [29] lip length for 1 3/8" [35] to 1 3/4" [44] doors. Other lengths available.

Strike location on frames must be adjusted for thickness of door silencers when used.



| | | |
|-----------------------------|---------------------------------|--|
| TEMPLATE NO. J928 | JOB _____ | |
| | DATE _____ DOOR THICKNESS _____ | |
| REMARKS _____ | | |