

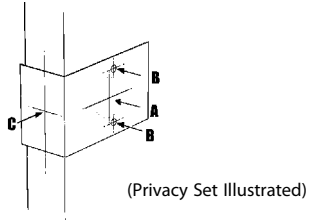
# 6000/7000/8000/9000 and Medio Series

## - PASSAGE & PRIVACY SET INSTALLATION INSTRUCTIONS

**WARNING:** Accurate door preparation is essential for the functioning of this lock. Please follow the enclosed template and instructions carefully.

**NOTE:** Wood screw fixing is optional. Through bolt fixing is recommended.

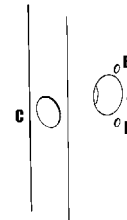
### 1 DOOR PREPARATION



Fold template at correct height (suggested height for centreline is 970mm from floor).

- A Mark centre for either passage or privacy set.
- B Mark holes for through bolt fixing where required.
- C Mark centre of door thickness on horizontal centreline.

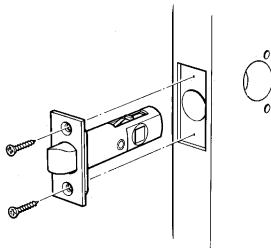
### 2 DRILL HOLES



When drilling through the door, drill from both sides to avoid damaging the door.

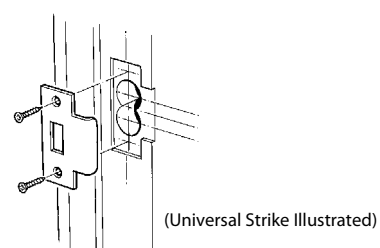
- A Drill a 35mm hole through the door for privacy sets and a 20mm hole for passage sets.
- B Drill (2) 5mm holes through the door where through bolt fixing is required.
- C Drill a 24mm hole x 85mm deep into the front edge of the door.

### 3 INSTALL LATCH



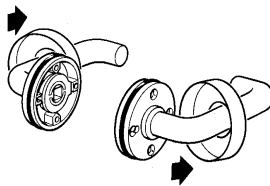
- A Insert latch into hole. Trace around face plate.
- B Chisel out wood until faceplate fits flush with door edge.
- C Fasten latch to door so bevelled edge of latchbolt faces jamb.

### 4 PREPARE JAMB & INSTALL STRIKE

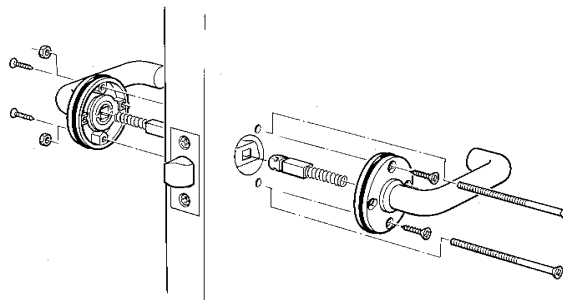


- A Mark vertical line and height centreline on jamb, exactly opposite centre of latch.
- B Drill (2) 20mm holes x 15mm deep, 8mm above and below height centreline.
- C Use strike plate as pattern for cutout. Chisel out and install strike.

### 5 REMOVE ROSE CAPS



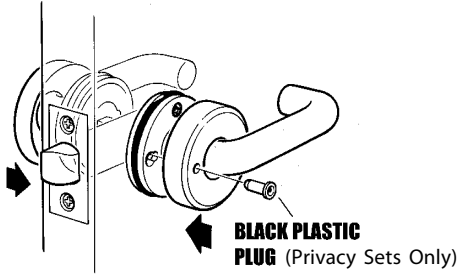
### 6 INSTALL FURNITURE



- A Insert spindles into furniture, as illustrated.
- B Attach furniture to door by either through bolt fixing or wood screws. (When through bolt fixing method is being used, cut bolts to appropriate length.)

**7**

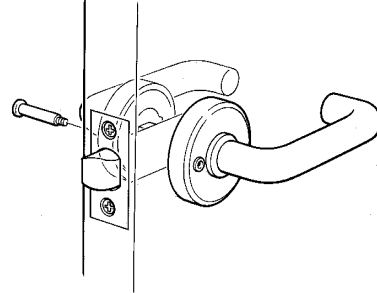
**REPLACE ROSE CAPS**



- A Replace rose caps
- B Insert black plastic plug into hole, on outside rose.

**8**

**ATTACH PRIVACY BUTTON**



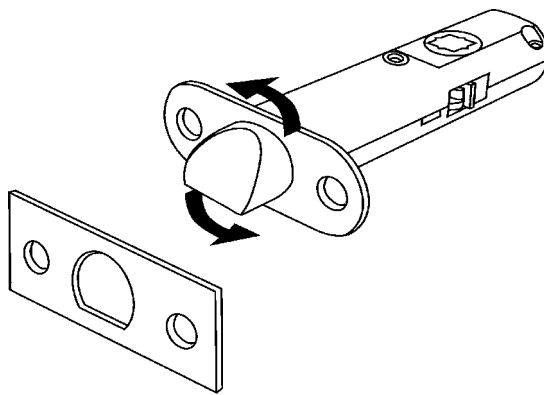
- A Screw in privacy button for privacy sets.

**PRIVACY LATCHBOLT HANDING INSTRUCTIONS**

All Privacy Latchbolts are supplied handed to accommodate inward opening doors. If you have an outward opening door, use the following instructions to hand the latchbolt correctly.

**1**

**TO HAND THE LATCH**



- A Remove Forend and rotate the latch head. Replace Forend to set in place.

**PASSAGE/PRIVACY SET INSTALLATION GUIDE**

Important - Double check dimensions if printing from an electronic version

